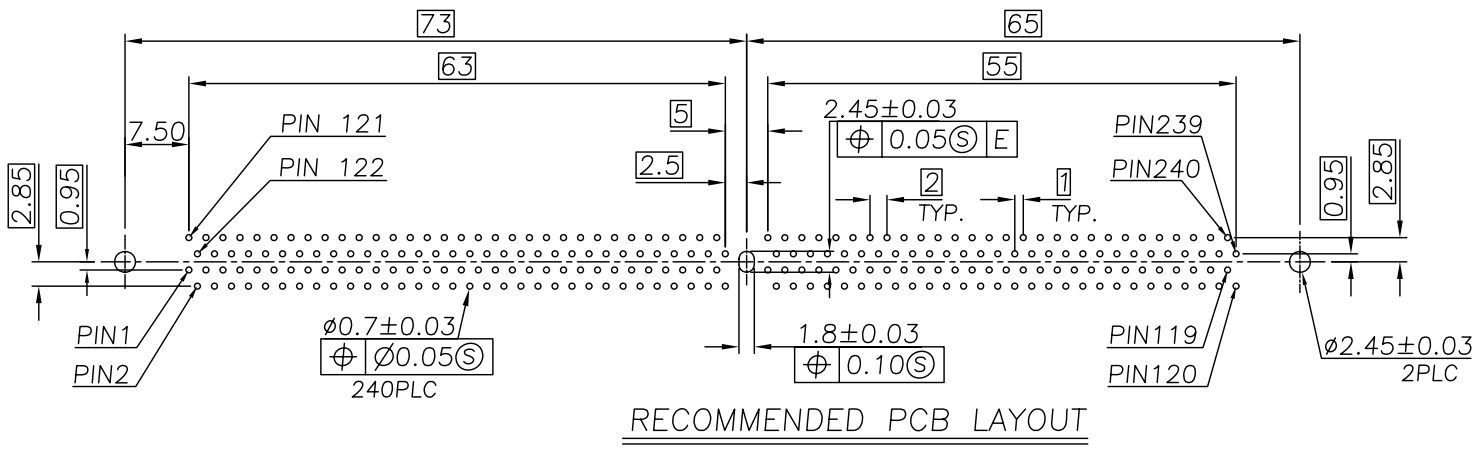
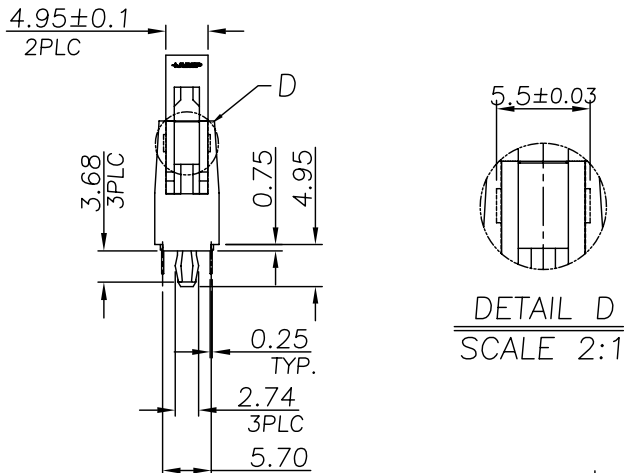
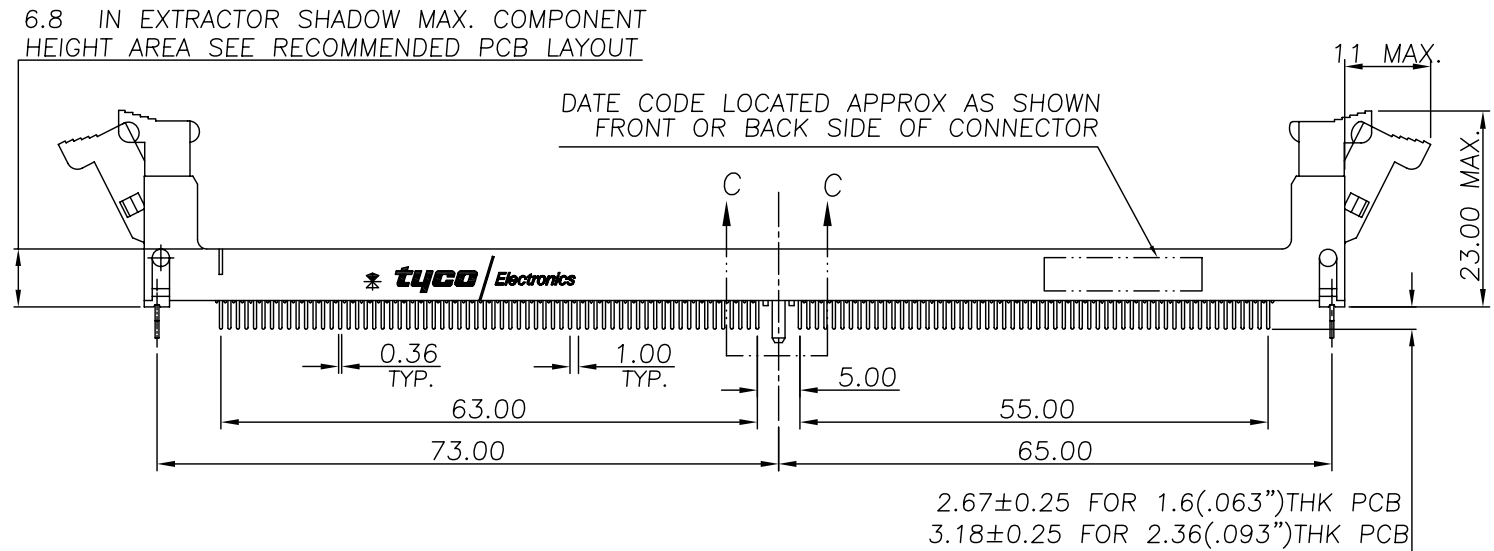
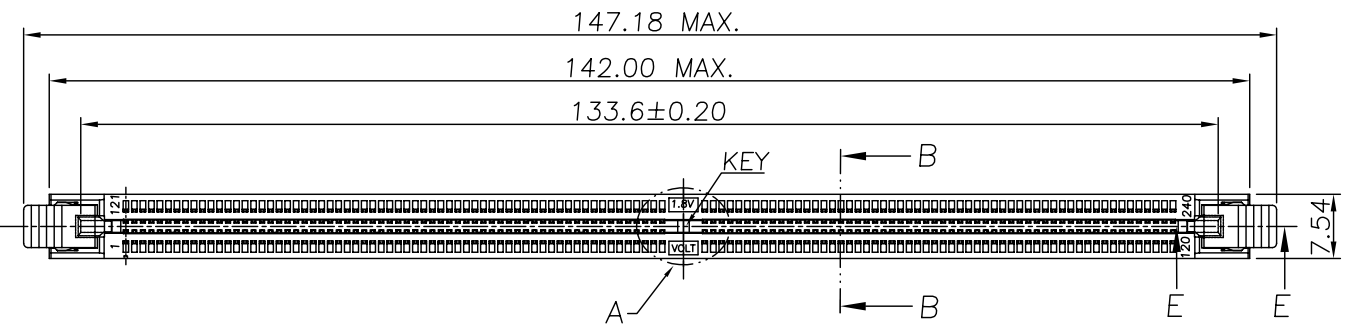


THIS DRAWING IS UNPUBLISHED. RELEASED FOR PUBLICATION AUG ,2006.
 © COPYRIGHT BY TYCO ELECTRONICS CORPORATION. ALL RIGHTS RESERVED.

LOC	DIST	REVISIONS			
P	LTR	DESCRIPTION	DATE	DWN	APVD
DW		G2	REVISED (ECR-08-030438)	02DEC'08	EL WK

- NOTES:
 1. MATERIAL:
 1.1 HOUSING: THERMOPLASTIC(PA46), UL94V-0; COLOR:SEE TABLE.
 1.2 EXTRACTOR: THERMOPLASTIC, UL94V-0; COLOR:SEE TABLE.
 1.3 CONTACTS: PHOSPHOR BRONZE
 1.4 BOARDLOCK: BRASS
 2. FINISH:
 2.1 CONTACT:
 GOLD PLATING ON CONTACT AREA,
 100μ" MIN. MATTE TIN PLATING ON SOLDER TAIL AREA,
 50μ" MIN. NICKEL UNDERPLATING OVERALL.
 2.2 BOARDLOCK:
 100μ" MIN. MATTE TIN PLATING ON SOLDER TAILS,
 50μ" MIN. NICKEL UNDERPLATING OVERALL.
 3. WAVE SOLDER CAPABLE TO 265°C PER TE SPEC. 109-202, CONDITION B.



SECT E-E SCALE 2:1
 SECT B-B SCALE 2:1

EXTRACTOR COLOR	HSG COLOR	DIM. L	GOLD PLATING	PART NUMBER
BLACK	BLACK	3.18	30u" 4-	-7
			15u" 9-	-8
			G/F	-7
		2.67	30u" 3-	-7
			15u" 9-	-6
			G/F	1775802-5
			30u" 9-	-6
	DARK BLUE 287C	3.18	15u" 9-	-4
			G/F	9-
			30u" 9-	-5
		2.67	15u" 9-	-2
			G/F	9-
			30u" 8-	-6
	NATURE	3.18	15u" 8-	-4
			G/F	8-
			30u" 8-	-5
		2.67	15u" 8-	-2
			G/F	8-
			30u" 7-	-6
	ORANGE 116C	3.18	15u" 7-	-4
			G/F	7-
			30u" 7-	-5
		2.67	15u" 7-	-2
			G/F	7-
			30u" 6-	-6
	TURQUOISE 322C	3.18	15u" 6-	-4
			G/F	6-
			30u" 6-	-5
		2.67	15u" 6-	-2
			G/F	6-
			30u" 5-	-6
	RED (199C)	3.18	15u" 5-	-4
			G/F	5-
			30u" 5-	-5
		2.67	15u" 5-	-2
			G/F	5-
			30u" 4-	-6
	WHITE	3.18	15u" 4-	-4
			G/F	4-
			30u" 4-	-5
		2.67	15u" 4-	-2
			G/F	4-
			30u" 3-	-6
	BLUE (2945C)	3.18	15u" 3-	-4
			G/F	3-
			30u" 3-	-5
		2.67	15u" 3-	-2
			G/F	3-
			30u" 2-	-6
	YELLOW (115C)	3.18	15u" 2-	-4
			G/F	2-
			30u" 2-	-5
		2.67	15u" 2-	-2
			G/F	2-
			30u" 1-	-6
	PURPLE (2715C)	3.18	15u" 1-	-4
			G/F	2-
			30u" 2-	-5
		2.67	15u" 2-	-2
			G/F	2-
			30u" 1-	-6
	GREEN (3258C)	3.18	15u" 1-	-4
			G/F	1-
			30u" 1-	-5
		2.67	15u" 1-	-2
			G/F	1-
			30u" 1-	-1
			30u" 2-	-7
	BLACK	3.18	15u" 2-	-4
			G/F	-3
			30u" 1-	-7
		2.67	15u" 1-	-2
			G/F	-1
			G/F	1775802-1

THIS DRAWING IS A CONTROLLED DOCUMENT.

DIMENSIONS: MM	TOLERANCES UNLESS OTHERWISE SPECIFIED:	DWN S. HOU 24AUG2007	Tyco Electronics Corporation Taipei, Taiwan
		CHK W.J. KE 24AUG2007	
		APVD W.J. KE 24AUG2007	NAME
		PRODUCT SPEC	
		108-57376	DDRII 240PIN SOCKET CONNECTOR
		QUALIFICATION TEST REPORT	
		501-57407	RESTRICTED TO
MATERIAL SEE NOTE	FINISH SEE NOTE	WEIGHT 9.4 GRAMS	SIZE A3
		CUSTOMER DRAWING	CAGE CODE 00779
			DRAWING NO C=1775802
			SHEET 1 OF 3
			REV G2

4

3

2

1

THIS DRAWING IS UNPUBLISHED.

RELEASED FOR PUBLICATION

AUG ,2006.

© COPYRIGHT BY TYCO ELECTRONICS CORPORATION. ALL RIGHTS RESERVED.

LOC

DIST

REVISIONS

DW

P

LTR

DESCRIPTION

DATE

DWN

APVD

SEE SHEET 1

133.35±0.1
 $\phi 0.10 \text{ (M) C A}$
 69.68±0.1 2PLC
 61.68±0.1 2PLC
 1.00 REF
 R FULL. 4 PLC
 Q OF MODULE BOARD
 4.00
 Q OF -A-
 4 ± 0.15
 $\phi 0.10 \text{ (M) C}$
 4PLC
 17.8
 2PLC
 10
 2PLC
 -B-
 PAD 1
 1.00
 2.5
 SEE DETAIL A
 5
 63
 55
 PAD 120
 4.00 MIN.
 30±0.15
 127.34 MAX.

4.00 MAX.
 (COMPONENT AREA)
 1.27±0.1
 $\phi 0.40 \text{ (M)}$
 C 0.05X45°
 -C-

PLUG COMPONENT:DDR II 240P FUNCTION CARD

0.8±0.05
 $\phi 0.10 \text{ (M) C B A}$
 $\phi 0.05 \text{ (M) C}$
 240 PLC
 R FULL
 2.54±0.05
 0.05 MIN.
 1.5±0.1
 -A-
 3.8±0.05

DETAIL A
SCALE 3:1 (1.8V)

THIS DRAWING IS A CONTROLLED DOCUMENT.

DWN

CHK

APVD

PRODUCT SPEC

QUALIFICATION TEST REPORT

WEIGHT

CUSTOMER DRAWING

DIMENSIONS:

MM

TOLERANCES UNLESS OTHERWISE SPECIFIED:

0 PLC	± 0.1
1 PLC	± 0.05
2 PLC	± 0.02
3 PLC	± 0.005
4 PLC	± -
ANGLES	± 0.5°

MATERIAL

SEE NOTE

FINISH

SEE NOTE

Tyco Electronics

Tyco Electronics Corporation
Taipei, Taiwan

NAME

DDR II 240PIN SOCKET CONNECTOR

SIZE

CAGE CODE

DRAWING NO

RESTRICTED TO

A3

00779

C=1775802

SCALE

SHEET

2 of 3

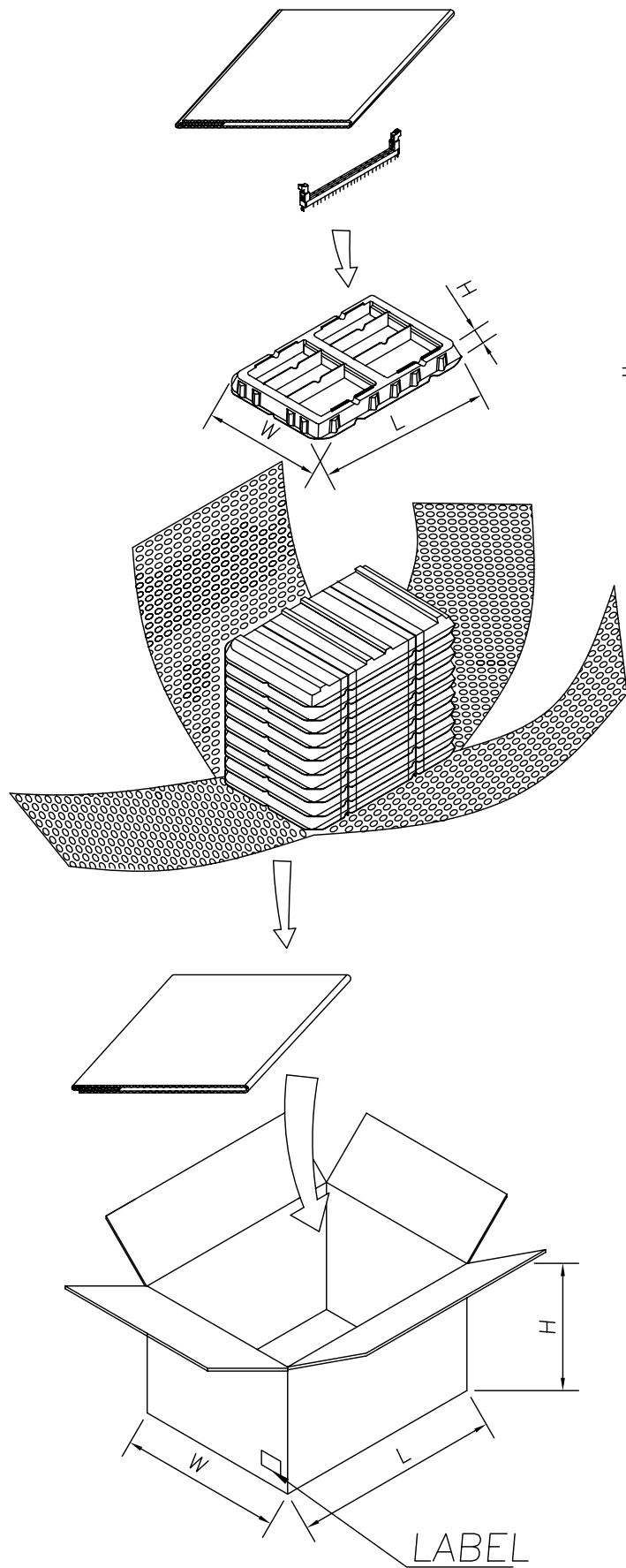
REV

G2

AMP 1470-19 REV 31MAR2000

THIS DRAWING IS UNPUBLISHED. RELEASED FOR PUBLICATION AUG ,2006.
 © COPYRIGHT BY TYCO ELECTRONICS CORPORATION. ALL RIGHTS RESERVED.

LOC		DIST		REVISIONS			
P	LTR	DESCRIPTION		DATE	DWN	APVD	
		SEE SHEET 1					

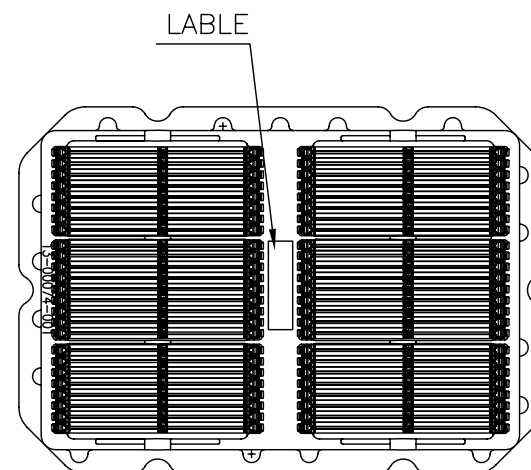


TRAY

SHIPPING BOX

NOTES :

1. DIMENSION :
 - 1.1 TRAY: L=363, W=255, H=33
 - 1.1 SHIPPING BOX: L=380, W=270, H=340
2. QUANTITY :
 - 2.1 PRIMARY PACKING: 50 PCS/TRAY
 - 2.2 SECONDARY PACKING: 10 TRAYS/BOX(500PCS)
3. WEIGHT :
 - 3.1 NET WEIGHT : 4.7Kg
 - 3.2 GROSS WEIGHT : 6.95Kg



TRAY LAYOUT

THIS DRAWING IS A CONTROLLED DOCUMENT.		DWN		Tyco Electronics Corporation Taipei, Taiwan																					
DIMENSIONS: MM		TOLERANCES UNLESS OTHERWISE SPECIFIED:		NAME																					
<table border="0"> <tr><td>0 PLC</td><td>± -</td></tr> <tr><td>1 PLC</td><td>± -</td></tr> <tr><td>2 PLC</td><td>± -</td></tr> <tr><td>3 PLC</td><td>± -</td></tr> <tr><td>4 PLC</td><td>± -</td></tr> <tr><td>ANGLES</td><td>± -</td></tr> </table>		0 PLC	± -	1 PLC	± -	2 PLC	± -	3 PLC	± -	4 PLC	± -	ANGLES	± -	<table border="0"> <tr><td>CHK</td><td>-</td></tr> <tr><td>APVD</td><td>-</td></tr> <tr><td>PRODUCT SPEC</td><td>-</td></tr> <tr><td>QUALIFICATION TEST REPORT</td><td>-</td></tr> </table>		CHK	-	APVD	-	PRODUCT SPEC	-	QUALIFICATION TEST REPORT	-	DDRII 240PIN SOCKET CONNECTOR	
0 PLC	± -																								
1 PLC	± -																								
2 PLC	± -																								
3 PLC	± -																								
4 PLC	± -																								
ANGLES	± -																								
CHK	-																								
APVD	-																								
PRODUCT SPEC	-																								
QUALIFICATION TEST REPORT	-																								
MATERIAL SEE NOTE		FINISH SEE NOTE		RESTRICTED TO																					
		WEIGHT		SIZE CAGE CODE DRAWING NO																					
		CUSTOMER DRAWING		A3 00779 C=1775802																					
		SCALE		SHEET 3 of 3 REV G2																					