

4

3

2

1

THIS DRAWING IS UNPUBLISHED. RELEASED FOR PUBLICATION 20  
 © COPYRIGHT 20 BY - ALL RIGHTS RESERVED.

LOC	DIST	REVISIONS					
		P	LTR	DESCRIPTION	DATE	DWN	APVD
HQ	00		DI	REVISED PER ECO-11-005027	12MAR2011	RK	HMR

D

D

C

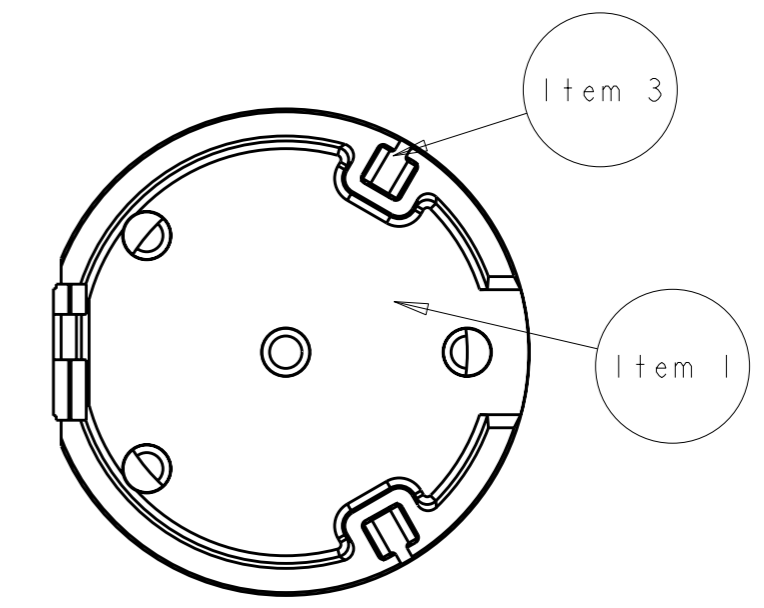
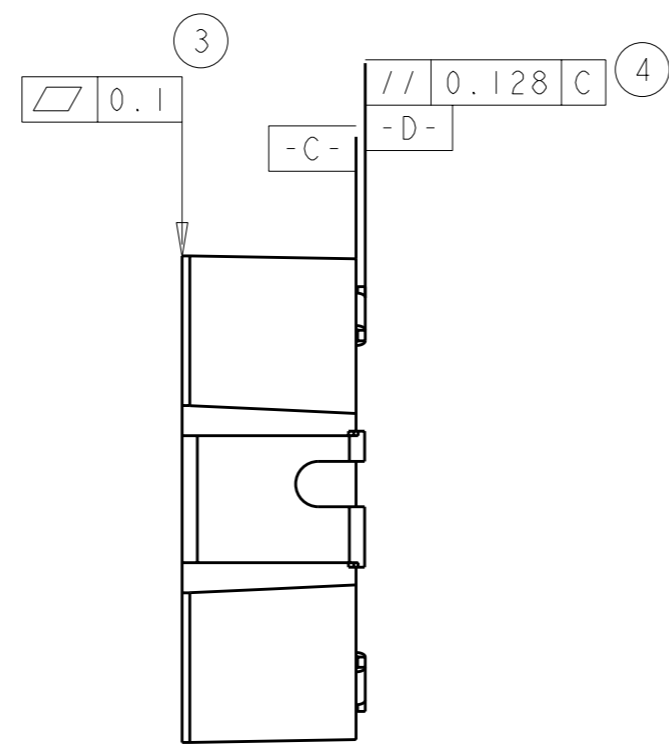
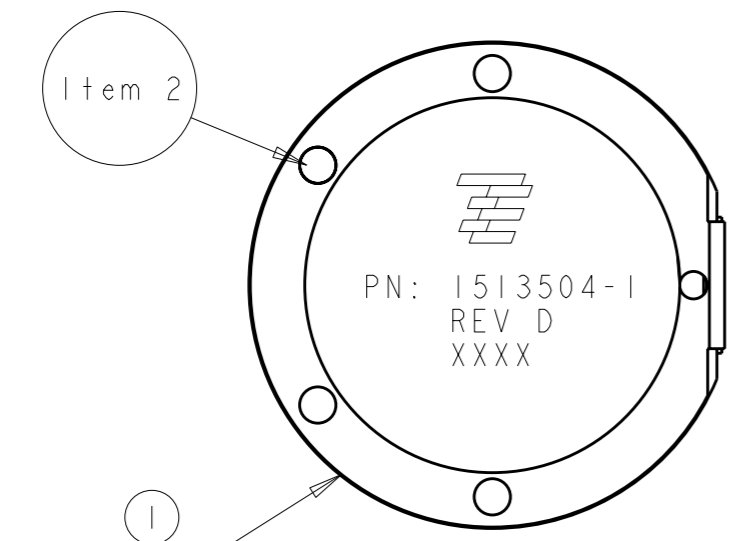
C

B

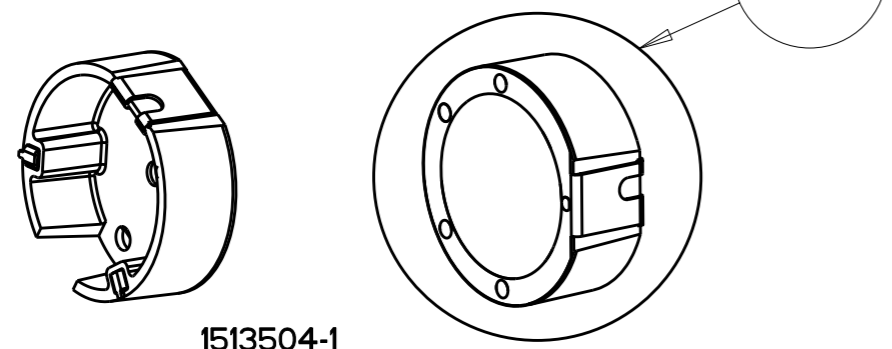
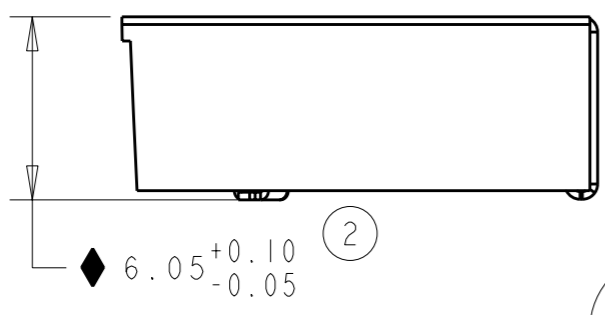
B

A

A



◆  $\varnothing 16.00 \pm 0.1$



1513504-1  
SCALE 2:1

◆ ONGOING STATISTICAL PROCESS CONTROL REQUIRED (TOTAL 2 PCS.)

NOTES:

1. Material - LCP DuPont Zenite 6130L, 30% glass filled, black color
2. General tolerance block applies unless otherwise specified.
3. Parts are compliant to RoHS standards per TE CONNECTIVITY standard TEC-138-702
4. Part will be identified with part number, rev letter, TE logo and 4 digit date code. 1st two digits for the year and the 2nd two digits for the week.
5. Consult TE CONNECTIVITY data sheet 1513504

THIS DRAWING IS A CONTROLLED DOCUMENT.		DWN DJL 13FEB2006	TE Connectivity	
DIMENSIONS: mm		CHK -		
TOLERANCES UNLESS OTHERWISE SPECIFIED:		APVD -	NAME	
0 PLC ±0.10 1 PLC ±0.10 2 PLC ±0.05 3 PLC ±0.05 4 PLC ±0.01 ANGLES ±1°		PRODUCT SPEC -	Antenna Bluetooth/WLAN Assembly 1513504-1	
MATERIAL -	FINISH -	APPLICATION SPEC -	SIZE A3	CAGE CODE 00779
		WEIGHT -	DRAWING NO C-1513504	RESTRICTED TO -
		CUSTOMER DRAWING	SCALE 4:1	SHEET 1 OF 1 REV DI